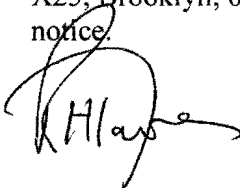


DEPARTMENT OF TRADE AND INDUSTRY**No. 1065****13 November 2009****NATIONAL REGULATOR FOR COMPULSORY SPECIFICATIONS ACT
(Act 5 of 2008)****PROPOSED AMENDMENT OF THE COMPULSORY SPECIFICATION FOR
PLUGS, SOCKET-OUTLETS AND SOCKET-OUTLET ADAPTORS (VC 8008)**

It is hereby made known under section 13(4) of the National Regulator for Compulsory Specifications Act, (Act 5 of 2008), that the Minister of Trade and Industry, on the recommendation of the NRCS Board, intends to amend the compulsory specification for *Plugs, Socket-outlets and Socket-outlet Adaptors*, as set out in the attached Schedule.

Any person, who wishes to comment on the intention of the Minister to thus amend the Compulsory Specification concerned, shall submit their comments, in writing, to the Chief Executive Officer, National Regulator for Compulsory Specifications, Private Bag X25, Brooklyn, 0075, on or before the date two (2) months after the publication of this notice.



Dr R Davies
Minister of Trade and Industry

SCHEDULE

VC 8008

PROPOSED COMPULSORY SPECIFICATION FOR PLUGS, SOCKET-OUTLETS AND SOCKET-OUTLET ADAPTORS

1 SCOPE

This specification covers the safety requirements for

- 1.1 Plugs, socket-outlets (fixed or portable, single or multiple), and socket-outlet adaptors with or without earth contacts intended for household and similar purposes, either indoors or outdoors with a rated voltage not exceeding 250 V and a rated current not exceeding 16 A ac;
- 1.2 Surface type mounting boxes that are necessary for the tests on the socket-outlet, excluding flush mounting boxes;
- 1.3 Plugs incorporated in cord sets, and plugs and portable socket-outlets incorporated in cord extension sets;
- 1.4 Plugs and socket-outlets that are components of an appliance;

Exclusions: This specification does not cover plugs and socket-outlets for industrial purposes, appliance couplers or fixed socket-outlets combined with fuses or automatic switches.

2 DEFINITIONS

For the purposes of this compulsory specification, the following definitions apply:

- 2.1 **Plug:** An accessory that has pins designed to engage with the contact of a socket-outlet and that incorporates a means for the electrical connection to and mechanical retention of flexible cables and cords;
- 2.2 **Socket-outlet:** An accessory that has socket-contacts designed to engage with the pins of a plug and that has terminals for the connection of cables;

2.3 **Socket-outlet adaptor:** A portable accessory constructed as an integral unit that incorporates both a plug and one or more socket-outlets whereby one or more plugs can be connected to a single socket-outlet of the same or a different system.

2.4 **Applicant:** The manufacturer or importer, manufacturer or importer seeking approval of plugs, socket-outlets (fixed or portable, single or multiple), and socket-outlet adaptors. The applicant shall be an established legal entity within the Republic of South Africa.

2.5 **Regulator:** The body appointed by the Minister to administer compulsory specifications.

2.6 **Proof of conformity:** Documented evidence of conformity with the requirements of this compulsory specification.

2.7 **Conformity of production:** Proof that plugs, socket-outlets (fixed or portable, single or multiple), and socket-outlet adaptors offered for sale have been manufactured to the approved design and continue to comply with the requirements of this compulsory specification.

2.8 **Valid certificate of conformity:** Authentic copy of an original certificate of conformity.

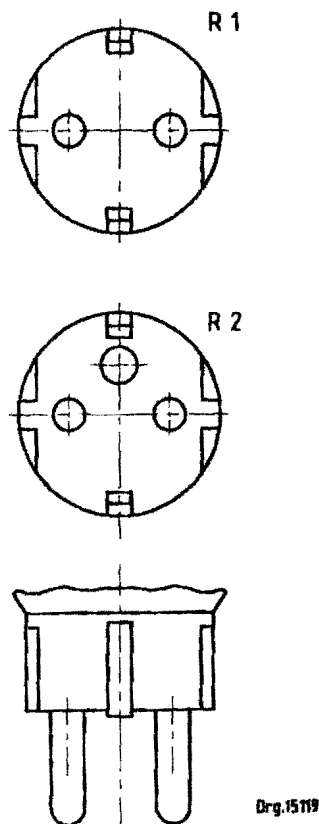
2.9 **Valid test report:** Authentic copy of an original test report

2.10 **Declaration report:** Authentic report, that is issued by an accredited conformity assessment body, indicating the equivalence of products and/or standards

3 REQUIREMENTS

3.1 Plugs, socket-outlets (fixed or portable, single or multiple), and socket-outlet adaptors shall comply with the requirements of SANS 164-0, *Plugs and socket-outlet systems for household and similar purposes for use in South Africa – Part 0: General and safety requirements*, and with the applicable additional requirements of parts 1 to 6 of the SANS 164 series.

3.2 Plugs and sockets with a pin and earth contact configuration of type R1 or type R2 of DIN 49441 (as illustrated in the Figure below) are excluded from the scope of SANS 164 – 6 and shall not be sold in South Africa.



DIN 49441
part 1,
types R 1 and R 2

Figure 1 – Illegal plug / socket configuration described in DIN 49441

3.3 The applicant shall ensure that every type of plug, socket-outlet (fixed or portable, single or multiple), and socket-outlet adaptor has been approved by the Regulator before offering it for sale, in accordance with the requirements of Annex A.

3.4 The applicant shall inform the Regulator of any change in design or materials affecting any mandatory requirement in terms of this compulsory specification. In the event of such change/s the Regulator may, at its discretion, demand that the applicant submit a new application for approval.

3.5 The applicant shall on request provide the Regulator within 2 working days with satisfactory proof of approval in respect of any plug, socket-outlet (fixed or portable, single or multiple), or socket-outlet adaptor included in the scope of this compulsory specification.

3.6 The applicant shall on request provide the Regulator within 5 working days with satisfactory proof of conformity of production.

3.7 Failure to provide such proof shall constitute reasonable grounds for suspicion of non-compliance with the requirements of this compulsory specification.

4 EQUIVALENCE OF STANDARDS

Standards issued by different standardization bodies such as ISO, IEC and EN, will only be accepted if it is proven, in the form of a declaration report from an accredited conformity assessment body, to be technically equivalent to the South African National Standard. The applicant shall be responsible for obtaining such a declaration report. Proof of conformity with such a standard shall be accepted as conformity with the corresponding South African National Standard.

5 CONFORMITY TO REFERRED STANDARDS

5.1 For the purposes of this compulsory specification, a new edition of a referred standard shall become effective 2 months from the date of publication as a South African National Standard.

5.2 New products, or products resubmitted for approval because of a change in design or materials shall in all cases be evaluated against the requirements of the latest edition of any referenced standard

5.3 When a new edition of a referred to standard is published, approvals of products in accordance with the previous edition(s) of that/those standard(s), shall remain valid for five years unless declared, otherwise, by the Minister.

6 EVIDENCE OF CONFORMITY

The following alternative forms of evidence shall be submitted to the Regulator as proof of conformity with the requirements of this compulsory specification:

- 6.1 Test reports and certificates in IEC format or any equivalent format acceptable to the Regulator and issued by an appropriately accredited and internationally recognized body being a member of an IAF/ILAC/IECEE mutual recognition scheme in accordance with the Regulator's conformity assessment policy
- 6.2 The certificate or test report shall prove conformity with all the applicable mandatory requirements.
- 6.3 Evidence of conformity shall be traceable to the specific model and type of plug, socket-outlet (fixed or portable, single or multiple), and socket-outlet adaptor in question.

ANNEX A

APPROVAL OF PLUGS, SOCKET-OUTLETS (FIXED OR PORTABLE, SINGLE OR MULTIPLE), AND SOCKET-OUTLET ADAPTORS

1. APPLICATION FOR APPROVAL

An application for approval of each type of plug, socket-outlet (fixed or portable, single or multiple), and socket-outlet adaptor that is intended for sale shall include:

1.1 Details of the type of plug, socket-outlet (fixed or portable, single or multiple), and socket-outlet adaptor for which approval is sought and the standard/s to which it is claimed to conform;

1.2 Details of the manufacturing plant/s in which the plug, socket-outlet (fixed or portable, single or multiple), and socket-outlet adaptor is produced;

1.3 For new applications, proof of conformity, with all the requirements of the relevant compulsory specification, issued less than 36 months before the date of submission to the Regulator;

1.4 On expiry of the approval, an application for an extension may be granted, provided that all the conditions of the previous approval were met. In this case, proof of compliance, with all the requirements of the relevant compulsory specification, issued less than 60 months before the date of submission to the Regulator, shall be required.

1.5 Identification markings and other information appearing on the product.

1.6 Any reasonable additional information as may be requested by the Regulator.

2 APPROVAL

2.1 The Regulator shall assess the evidence of conformity supplied by the applicant and shall decide to grant approval or not, at its sole discretion.

2.2 The Regulator shall assign a unique number to each approval.

2.3 The Regulator shall issue a letter of authority certificate (LOA) for each successful application, to the applicant, when all the requirements have been met. The validity period of an LOA shall be 3 years and 2 years for an extension.

2.4 The approval granted in respect of plug, socket-outlet (fixed or portable, single or multiple), and socket-outlet adaptor pursuant to this compulsory specification may be withdrawn at any time, without prior notice, if the requirements have not been met or maintained.